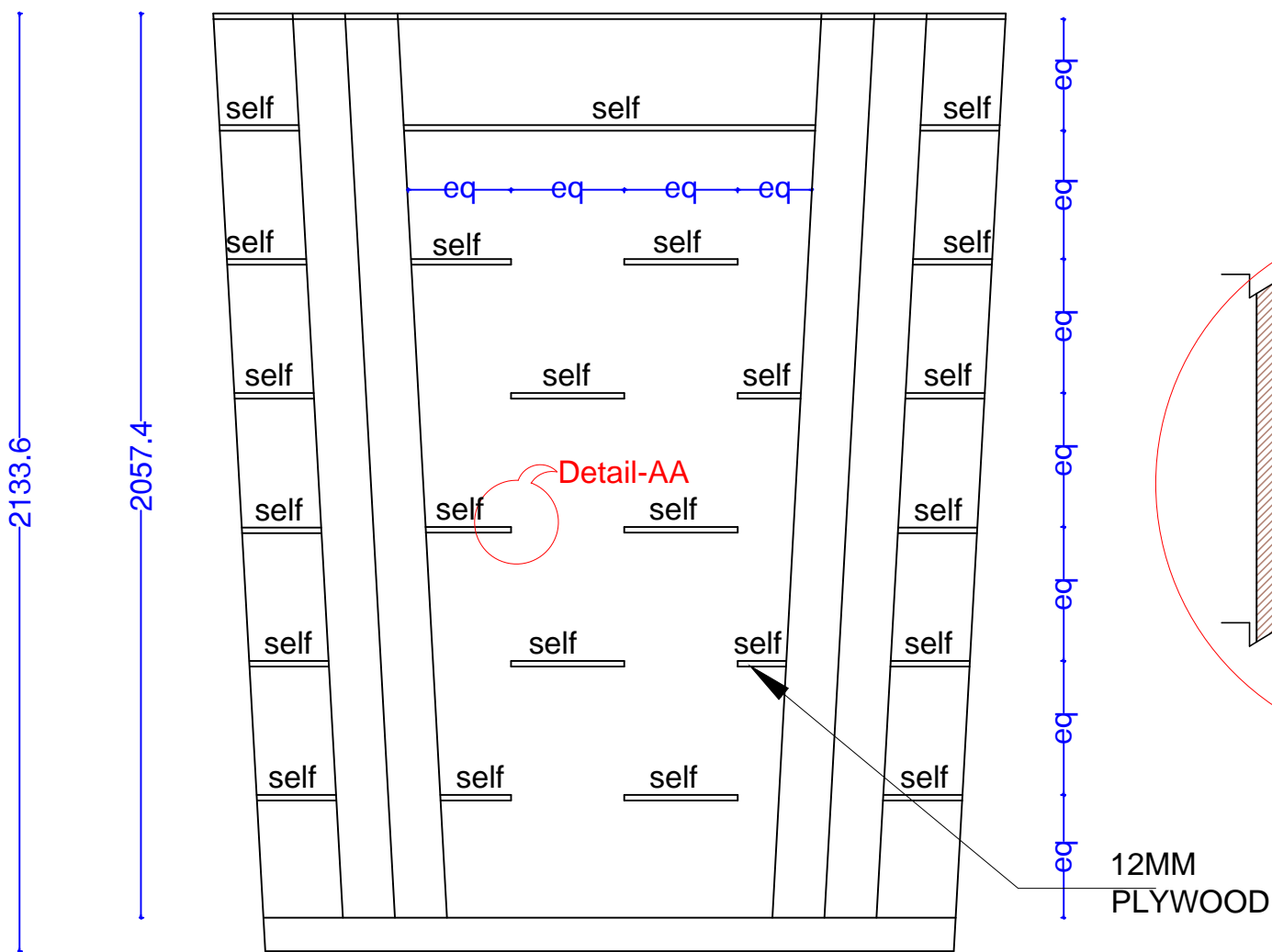
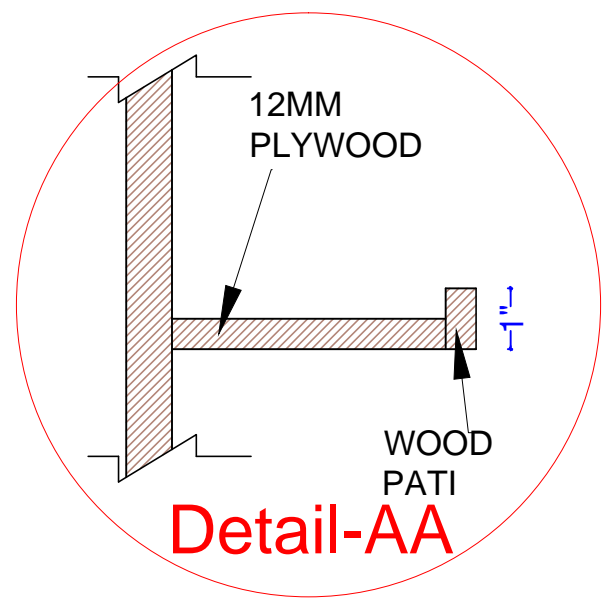


PLAN

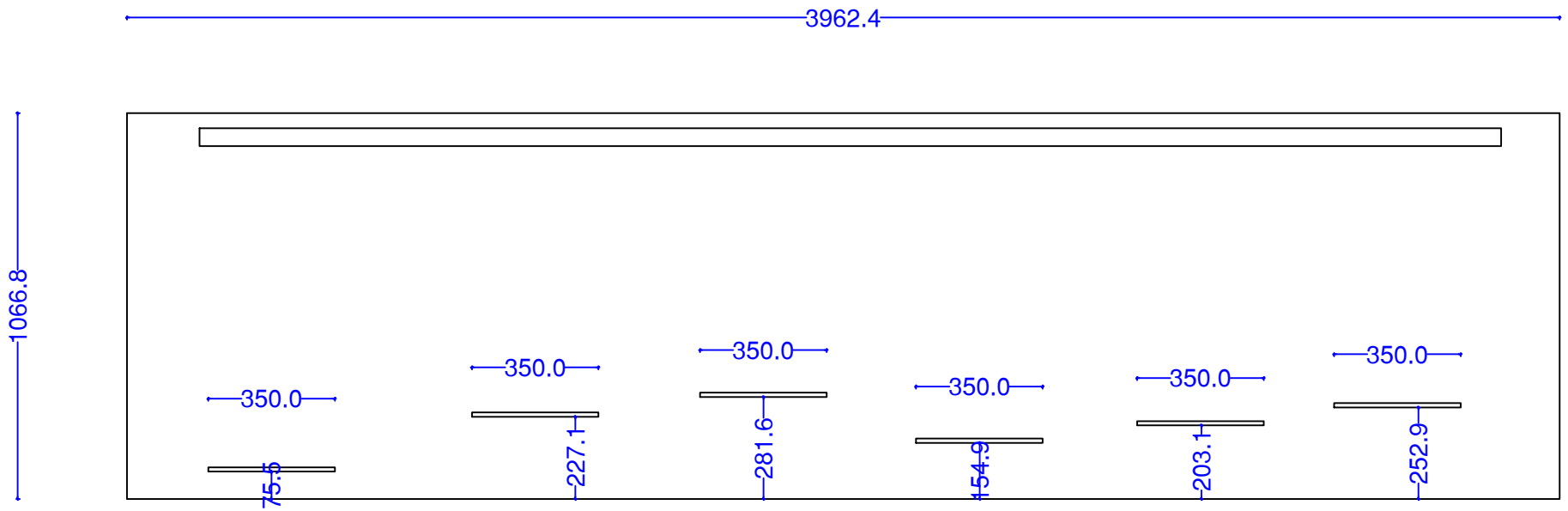


ELEVATION

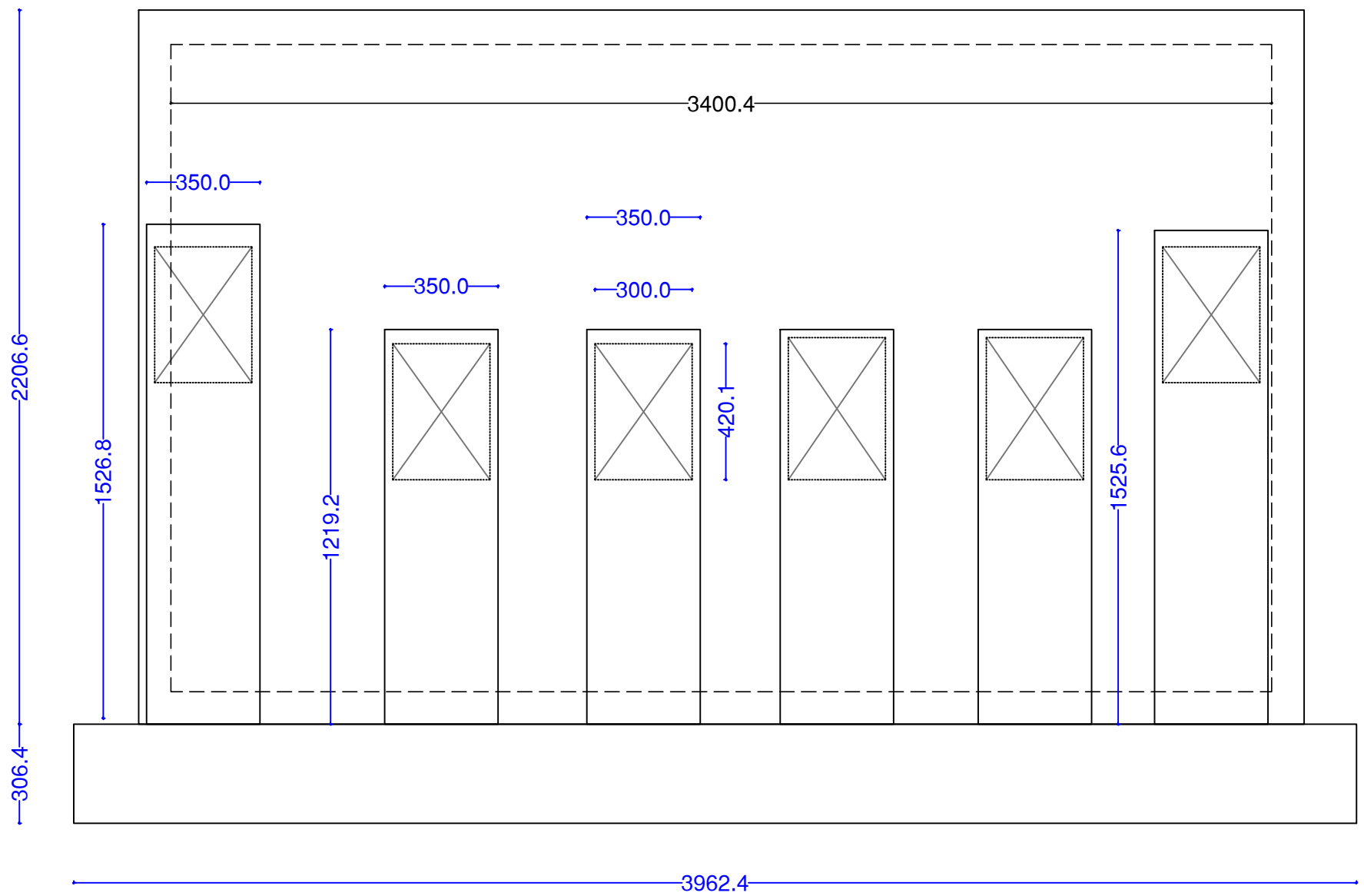


Detail-AA

DRG.NO - 2



PLAN



ELEVATION

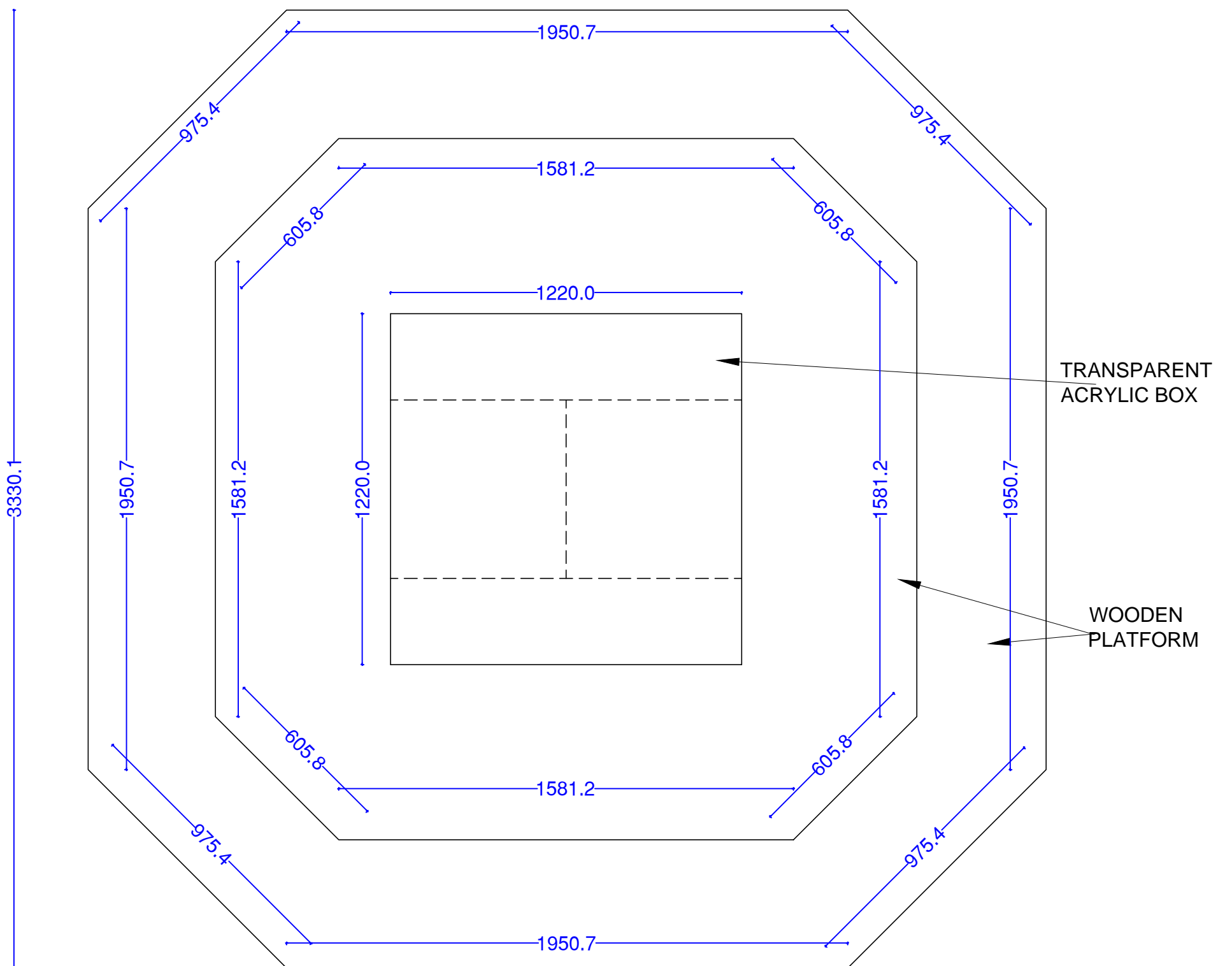
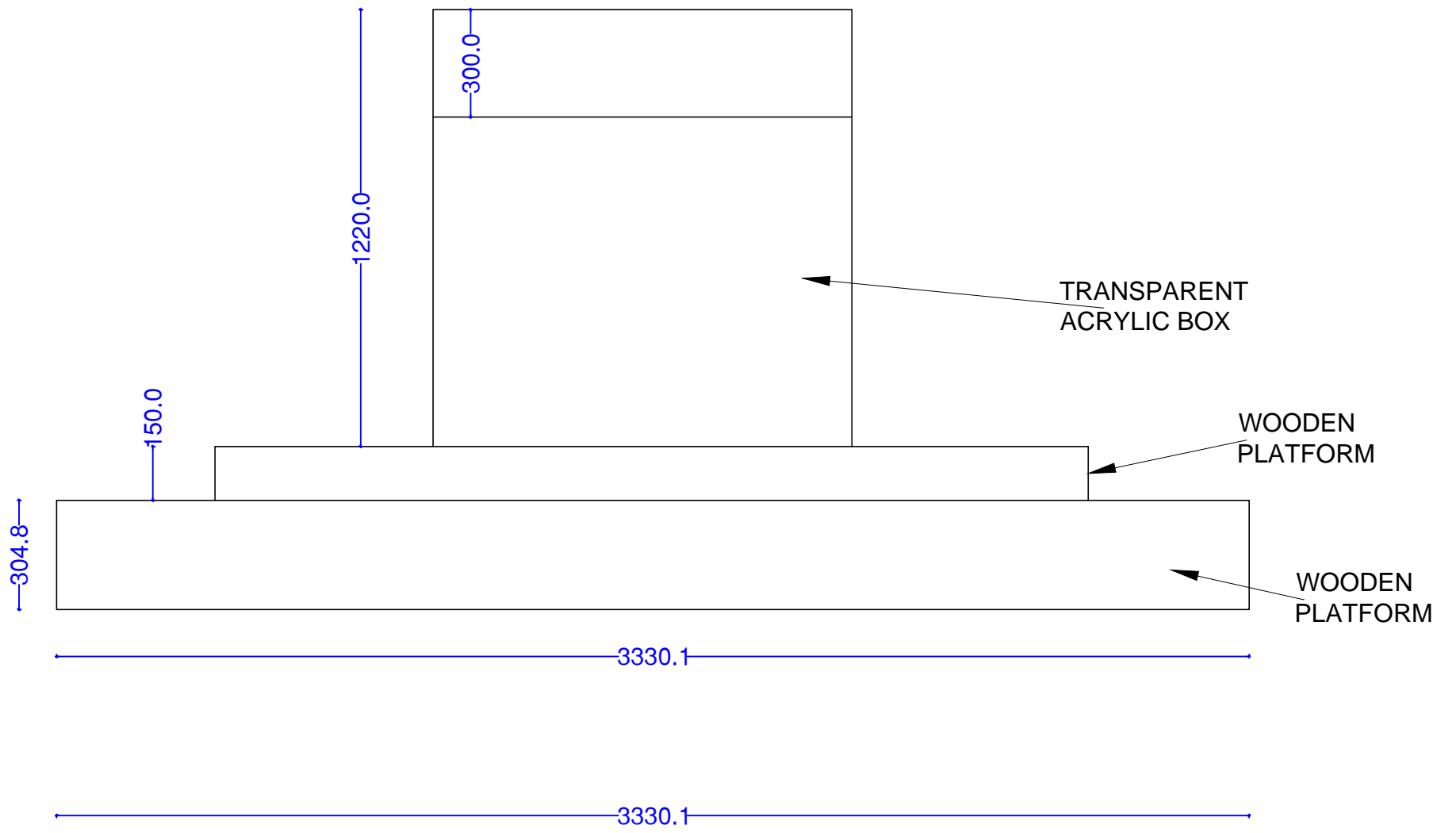
DRG.NO - 3

NATIONAL BOOK TRUST
WORLD BOOK FAIR 2020, THEME PAVILION

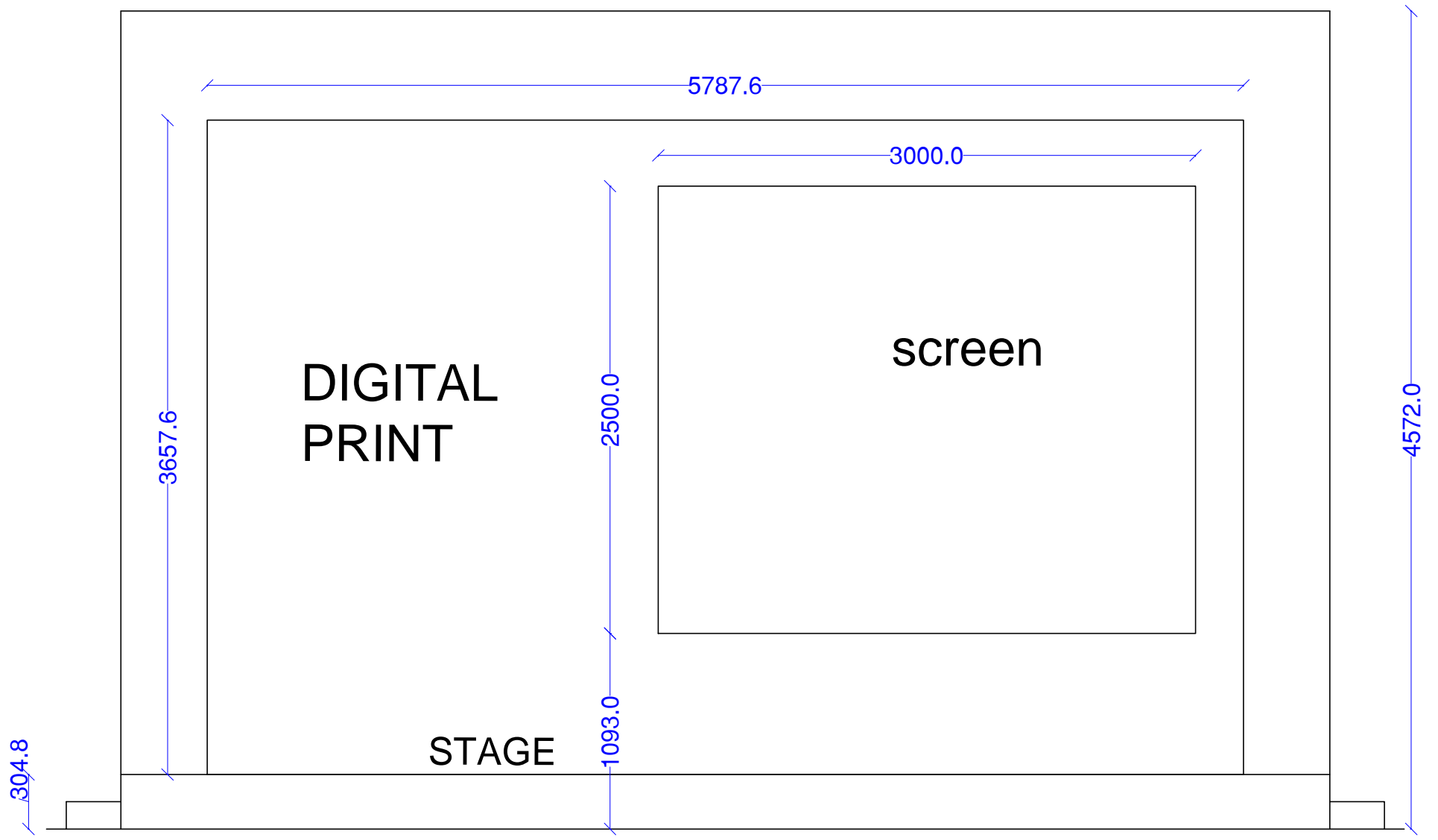
ZONE-A WRITER'S WRITER DISPLAYS UNIT

FIT SCALE	11.12.19 DATE	NILESH DESIGN BY	NILESH CHEQ
--------------	------------------	---------------------	----------------

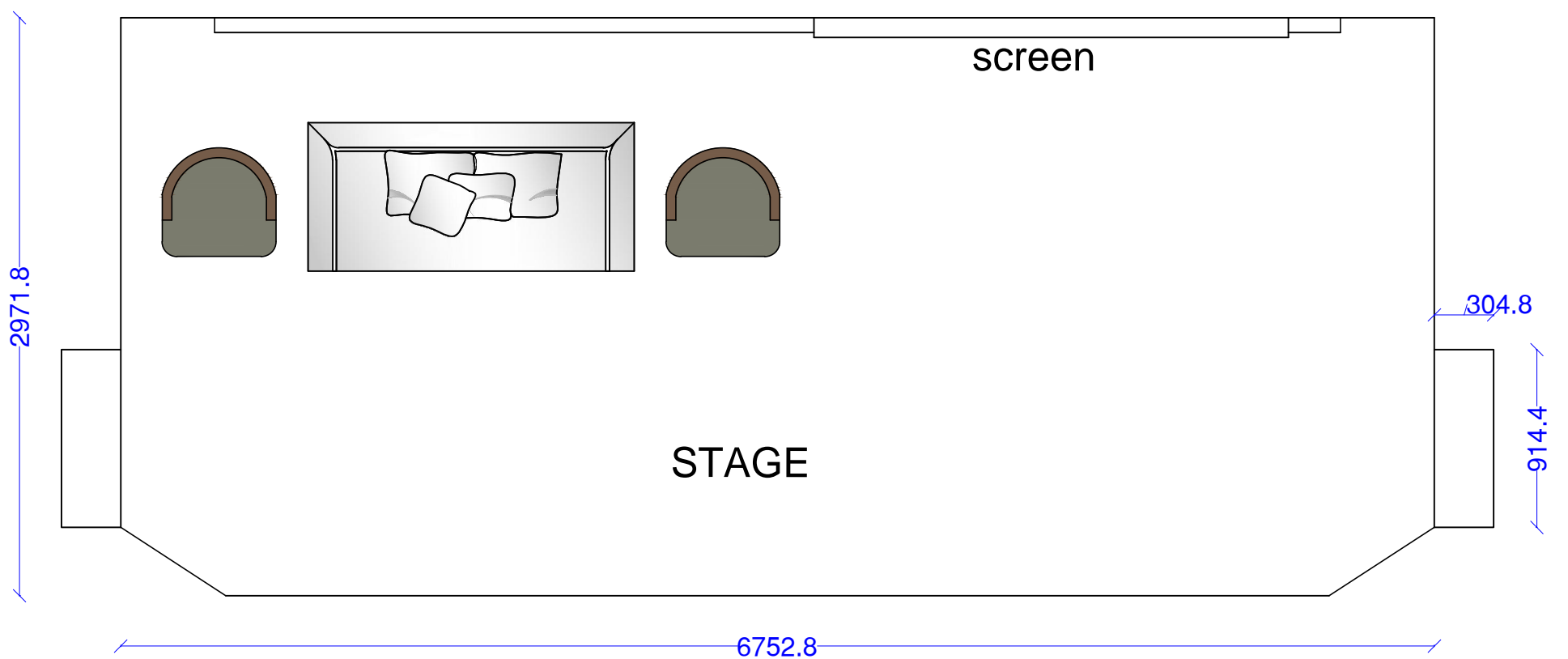
NATIONAL INSTITUTE OF DESIGN



DRG.NO - 4



ELEVATION



PLAN

DRG.NO - 5

NATIONAL BOOK TRUST
WORLD BOOK FAIR 2020, THEME PAVILION

STAGE

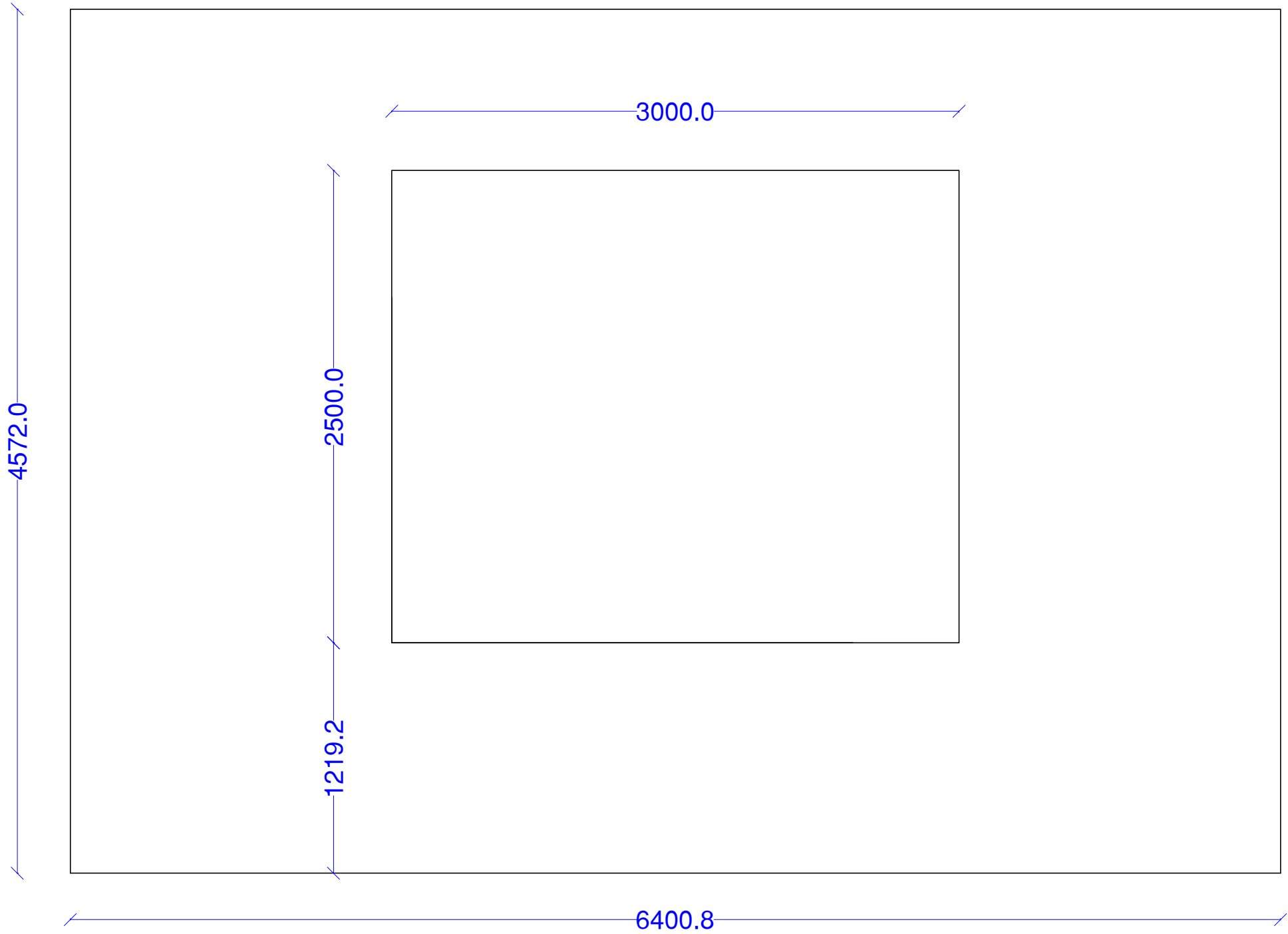
FIT
SCALE

11.12.19
DATE

NILESH
DESIGN BY

NILESH
CHEQ

NATIONAL INSTITUTE OF DESIGN



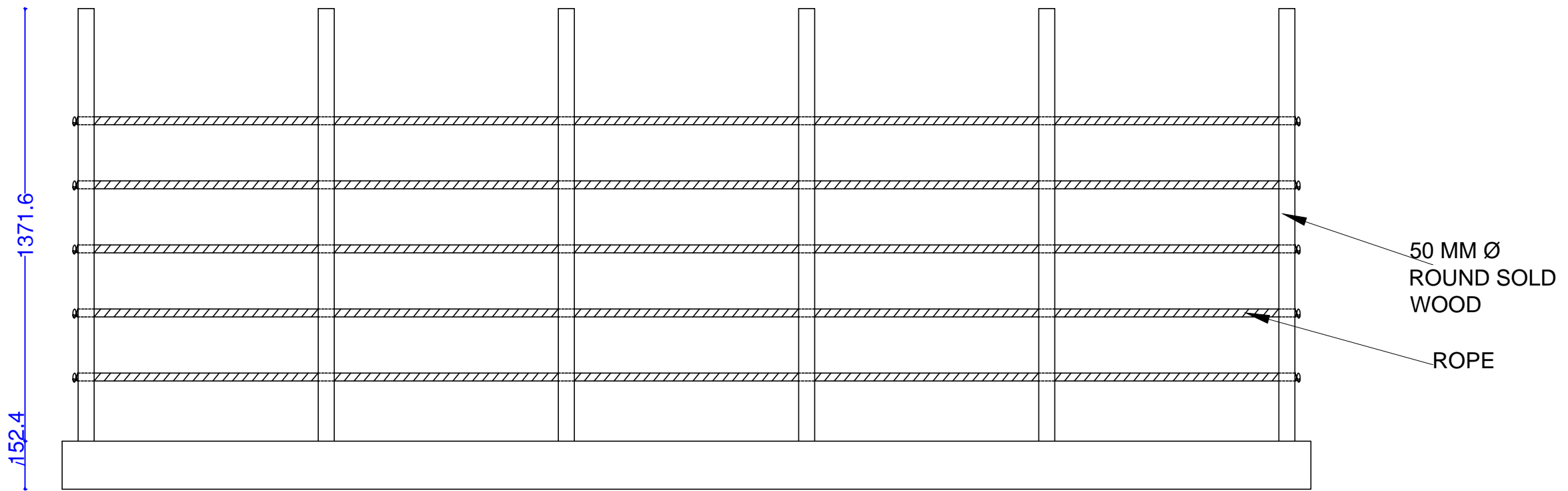
DRG.NO - 6

NATIONAL BOOK TRUST
 WORLD BOOK FAIR 2020, THEME PAVILION

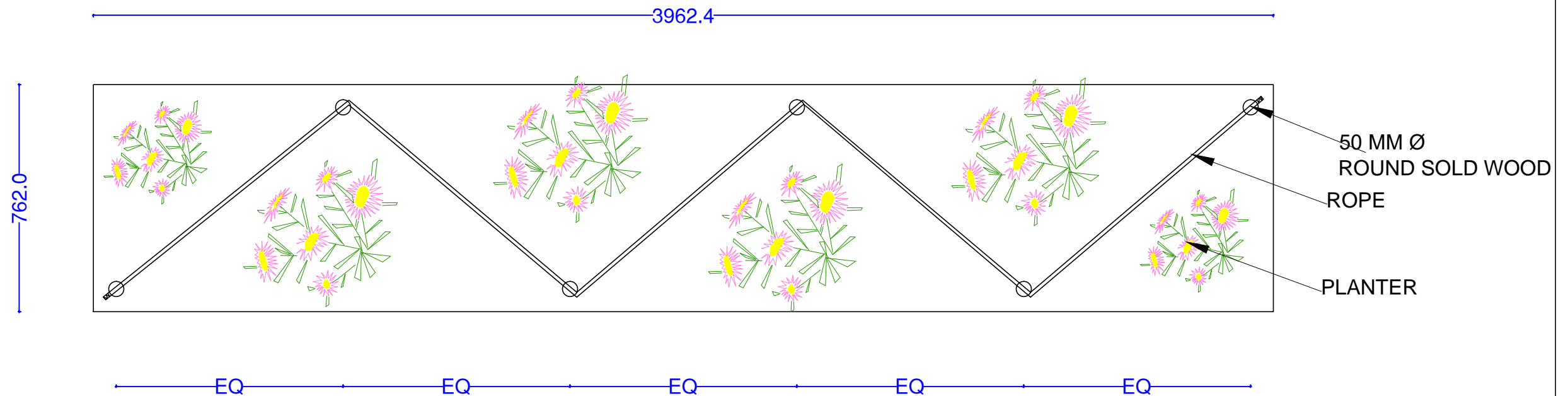
ZONE-A SCREEN

FIT SCALE	11.12.19 DATE	NILESH DESIGN BY	NILESH CHEQ
--------------	------------------	---------------------	----------------

NATIONAL INSTITUTE OF DESIGN

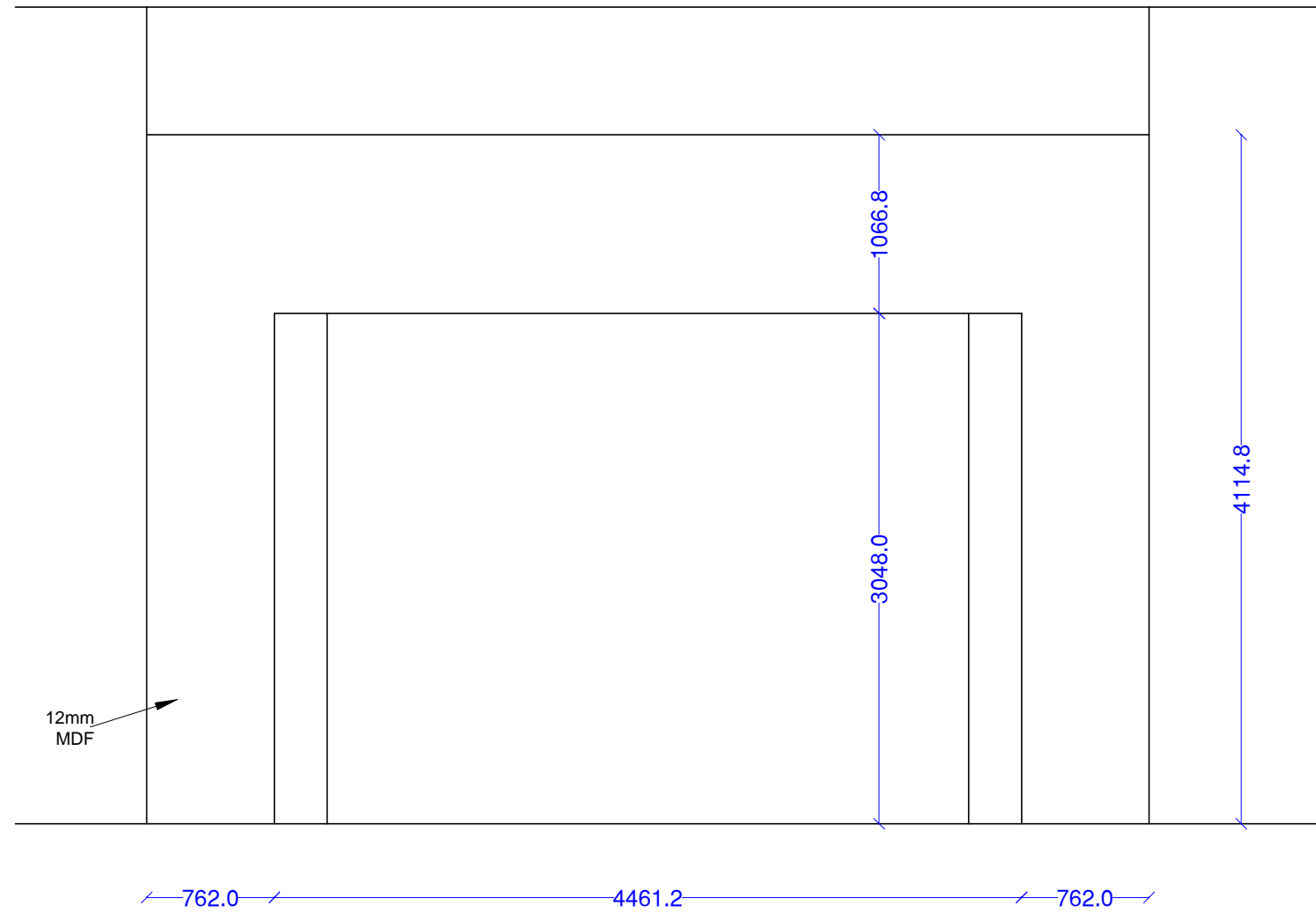


ELEVATION

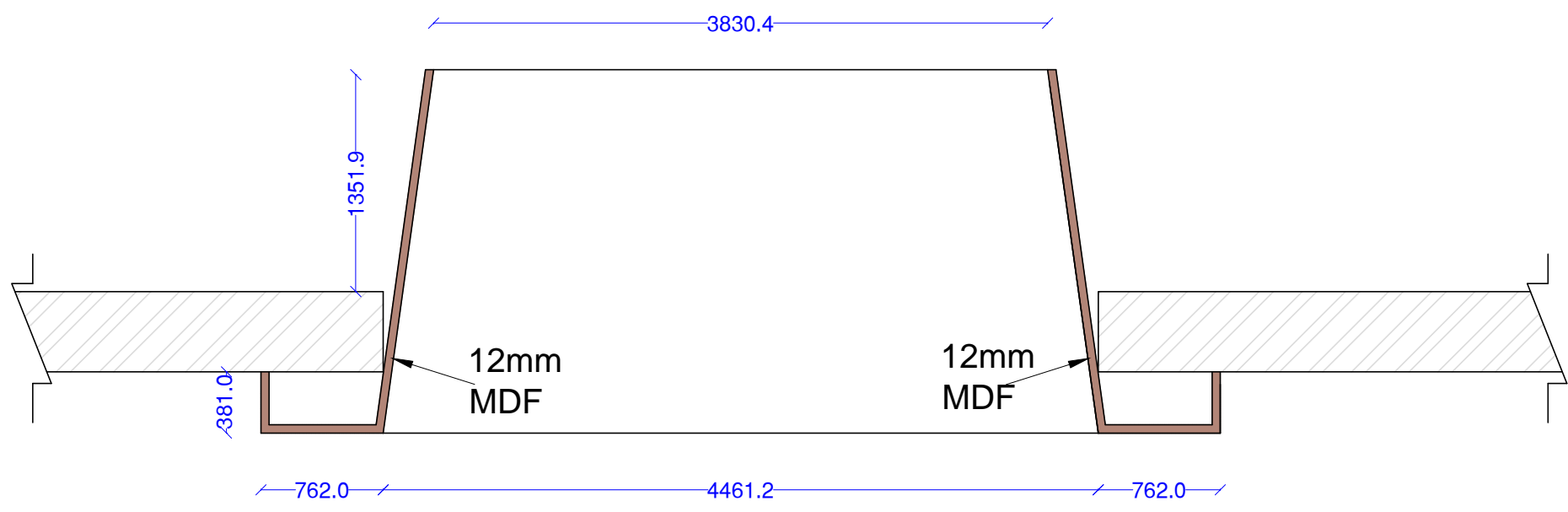


PLAN

DRG.NO - 7

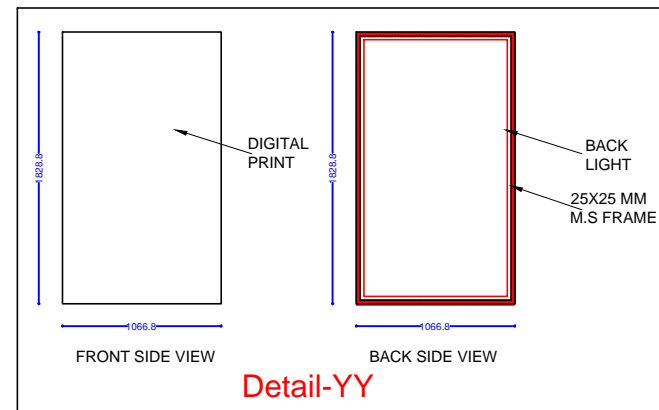
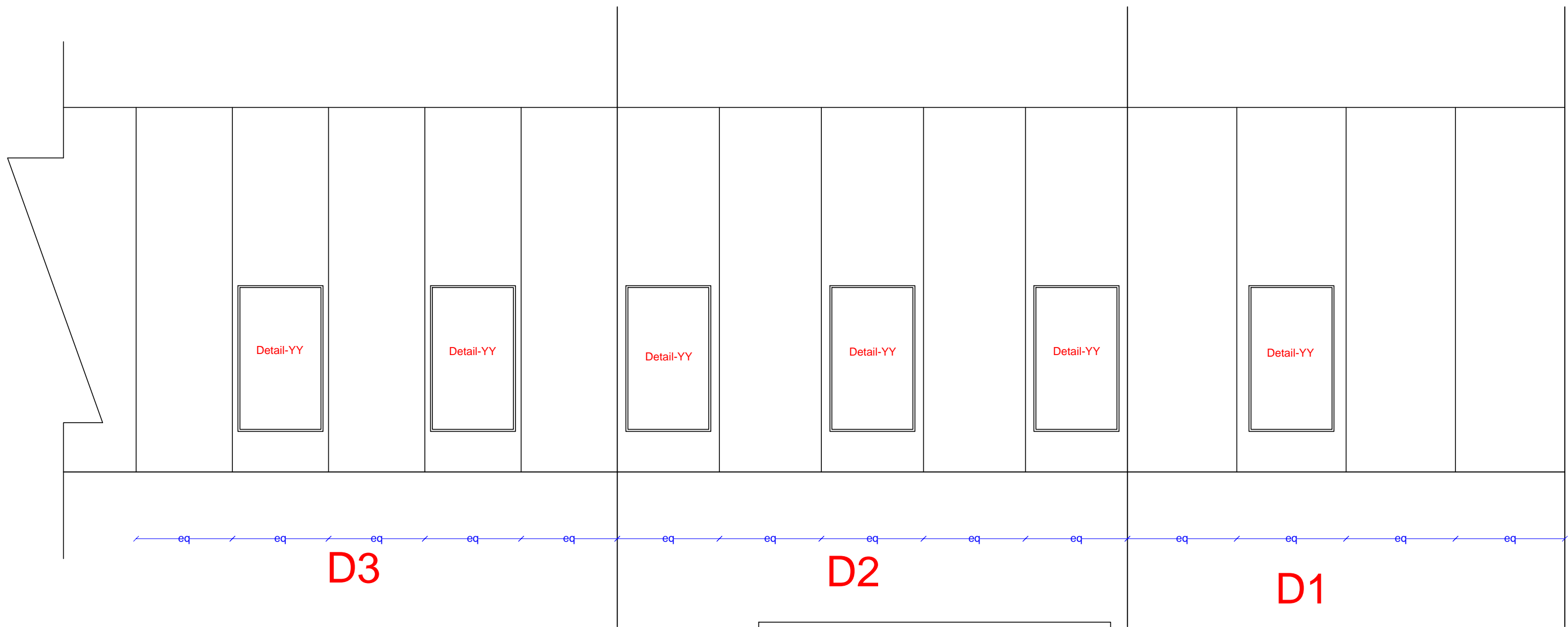


ELEVATION



PLAN

DRG.NO - 8



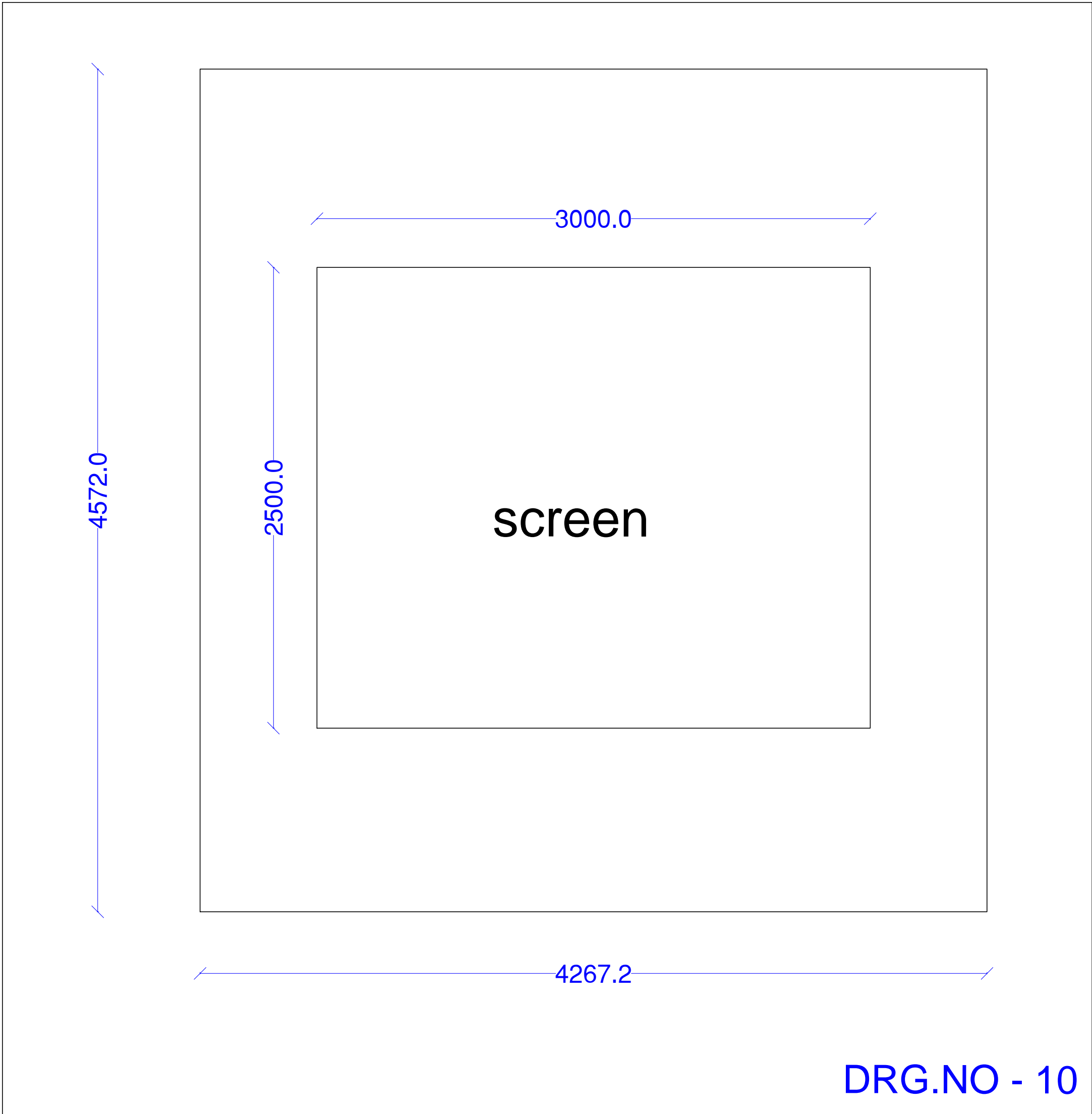
DRG.NO - 9

NATIONAL BOOK TRUST
WORLD BOOK FAIR 2020, THEME PAVILION

ZONE-D PARTITION DETAILS

FIT SCALE	11.12.19 DATE	NILESH DESIGN BY	NILESH CHEQ
-----------	---------------	------------------	-------------

NATIONAL INSTITUTE OF DESIGN



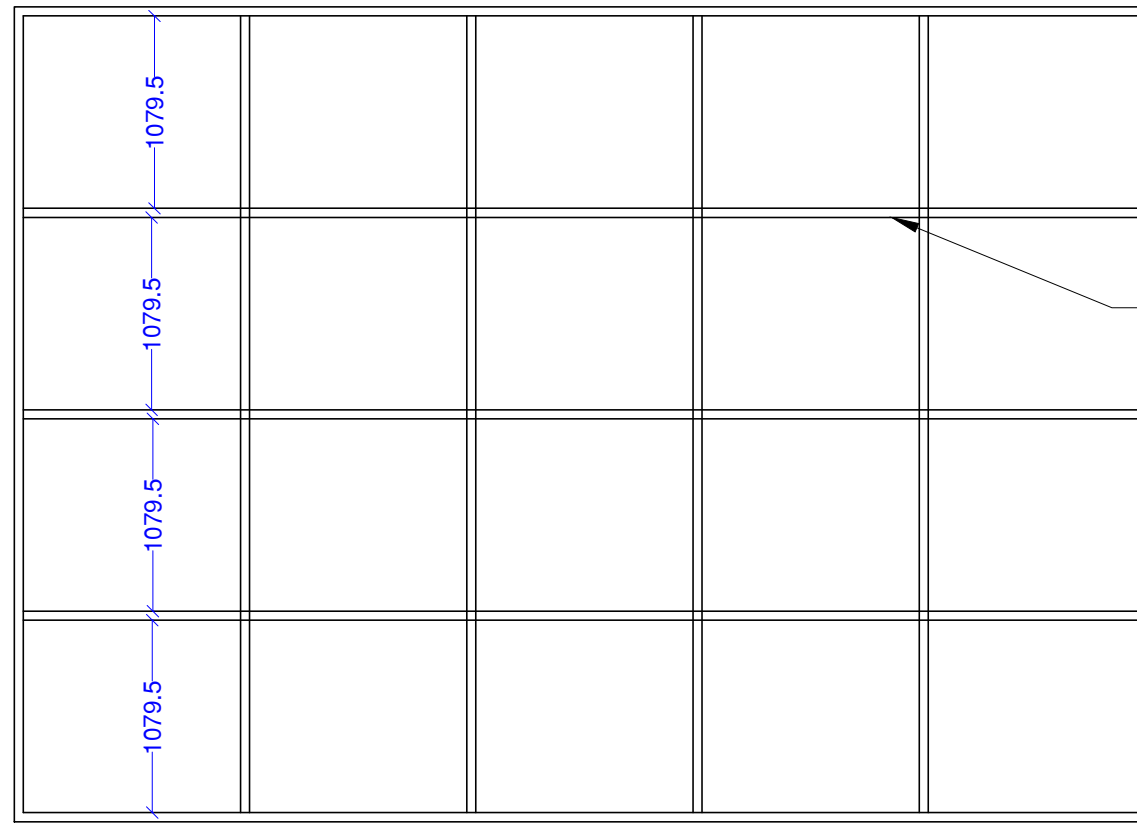
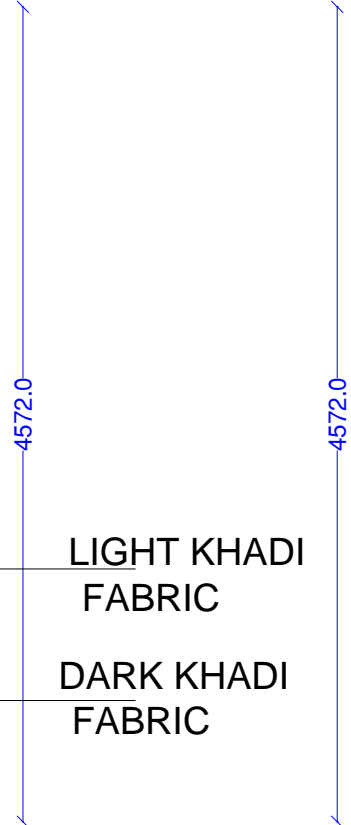
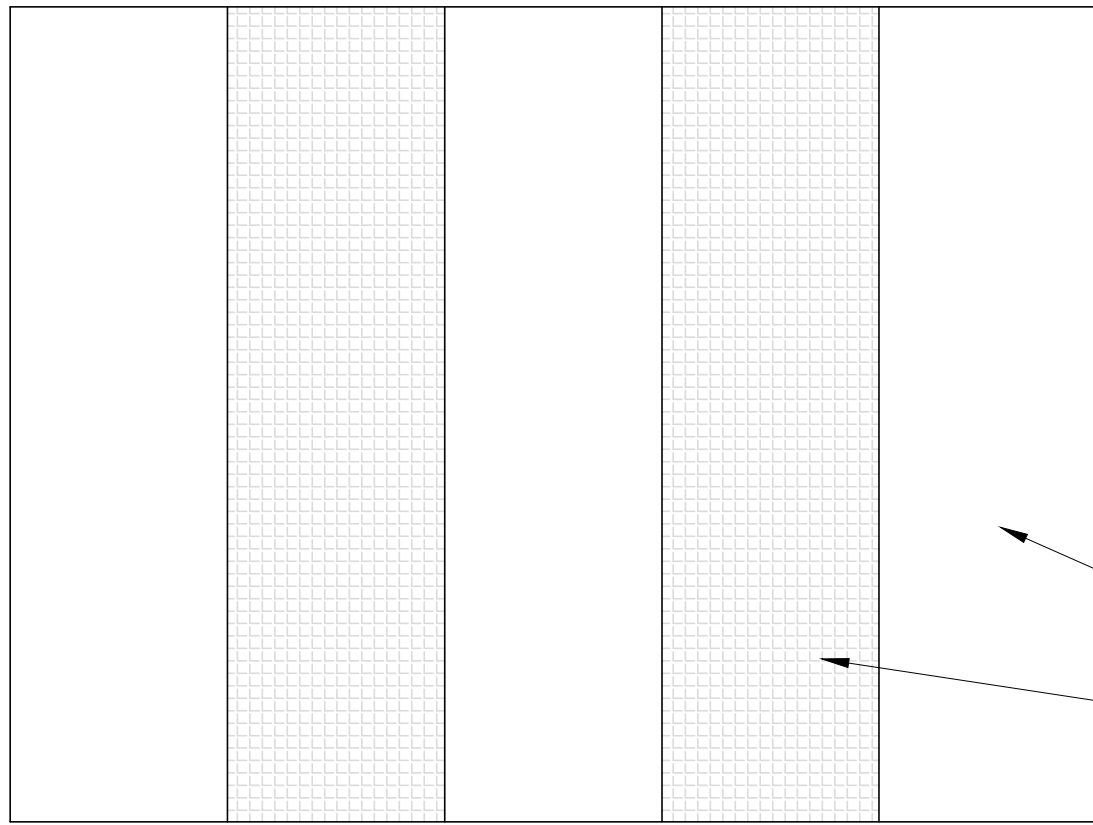
DRG.NO - 10

NATIONAL BOOK TRUST
 WORLD BOOK FAIR 2020,THEME PAVILION

MAIN ENTRY SCREEN

FIT SCALE	11.12.19 DATE	NILESH DESIGN BY	NILESH CHEQ
--------------	------------------	---------------------	----------------

NATIONAL INSTITUTE OF DESIGN

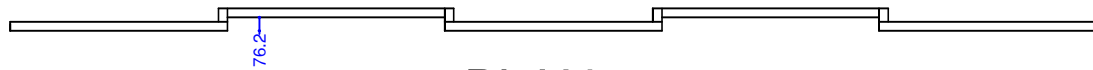


50 X 40 MM
SOLID WOOD FRAME

50 X 40 MM
SOLID WOOD
FRAME

1220/EQ 1220/EQ 1220/EQ 1220/EQ 1220/EQ

ELEVATION



PLAN

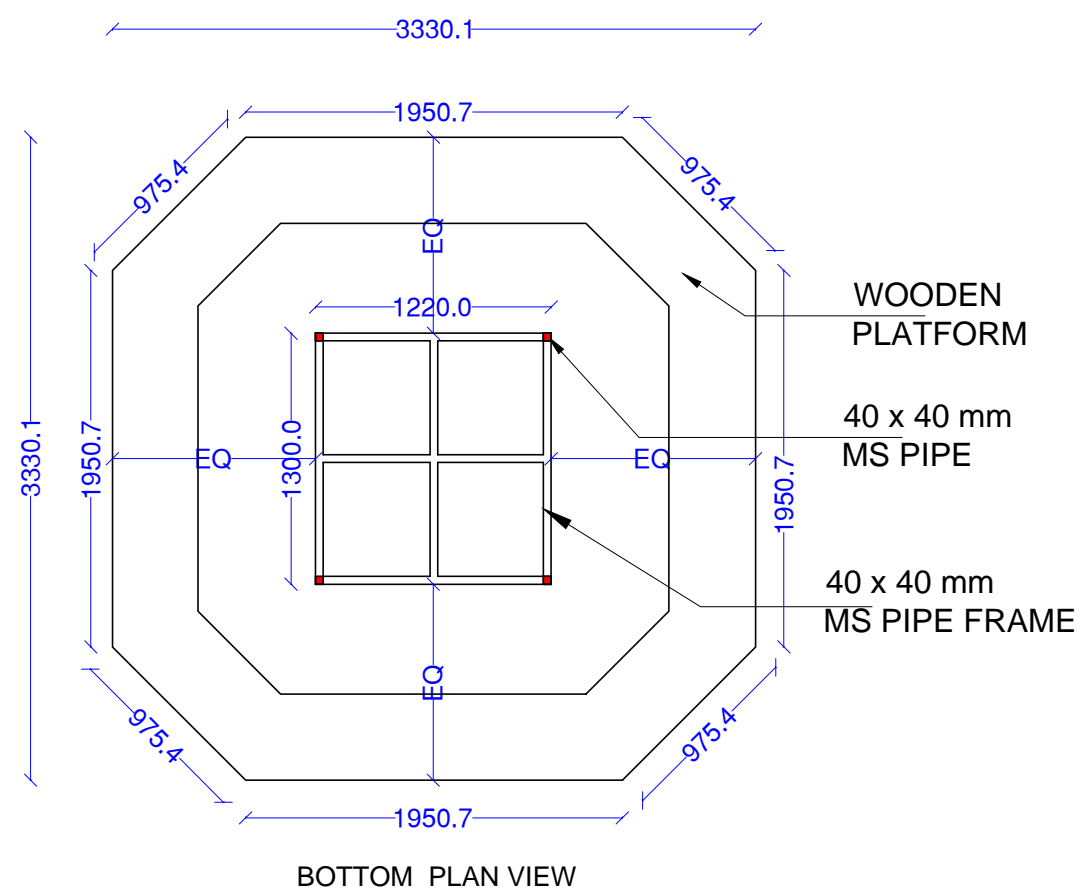
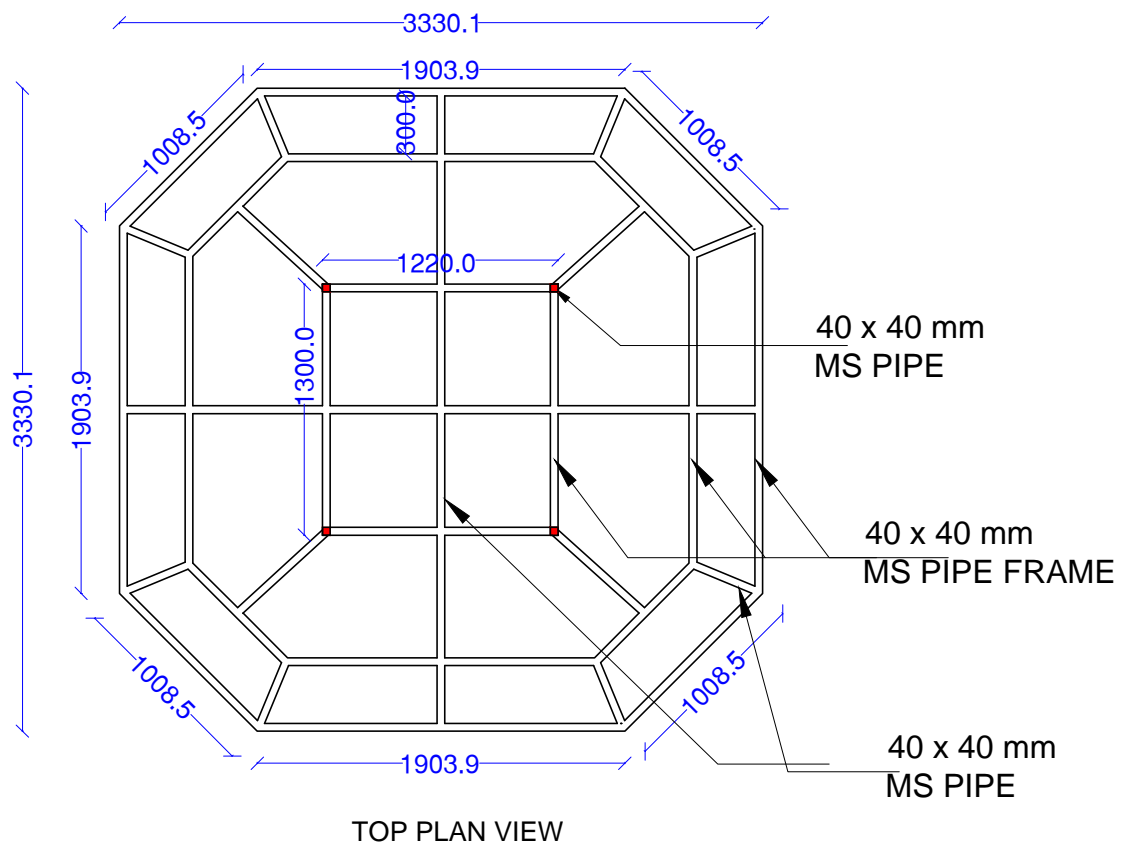
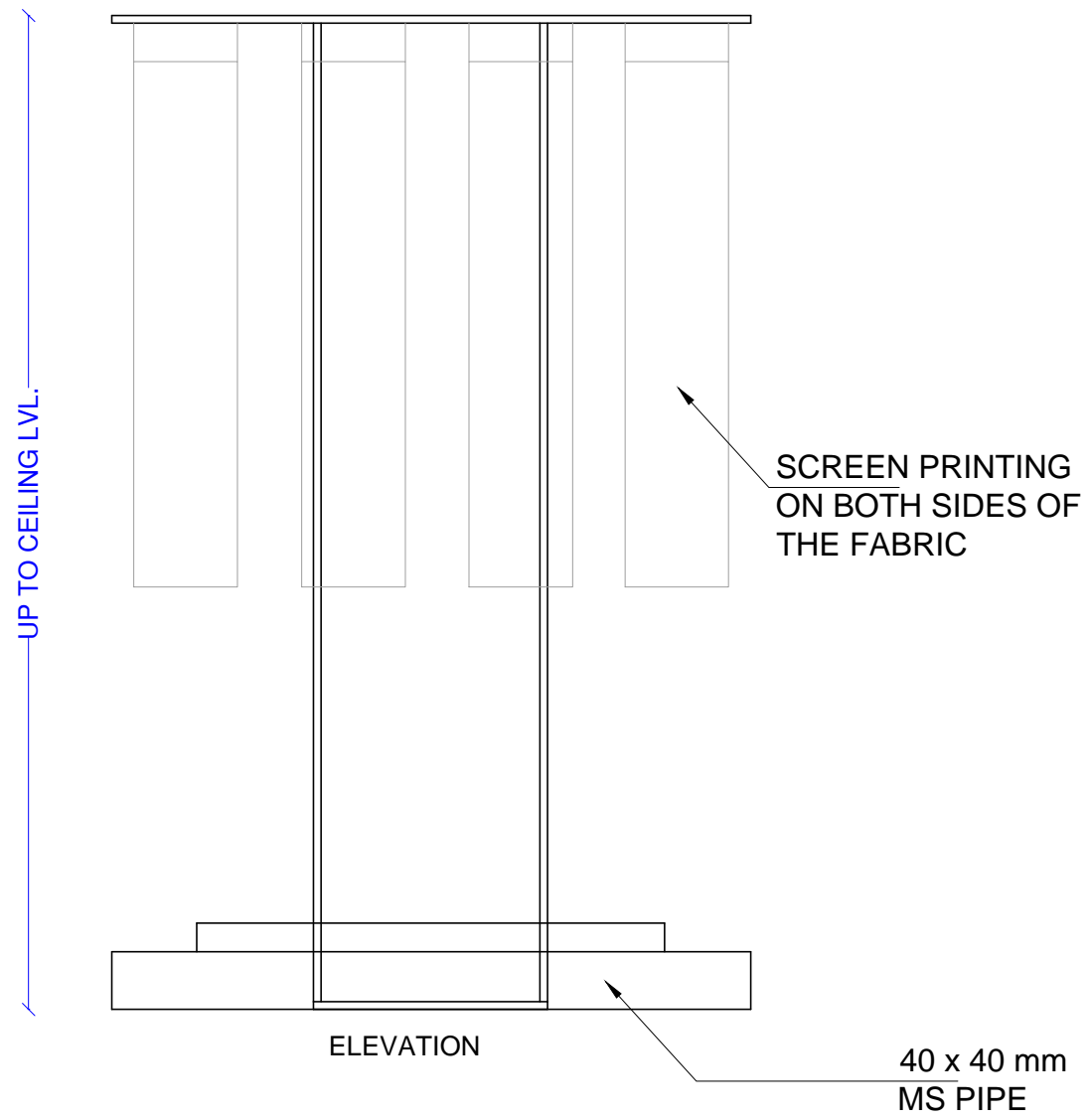
DRG.NO - 11

NATIONAL BOOK TRUST
WORLD BOOK FAIR 2020, THEME PAVILION

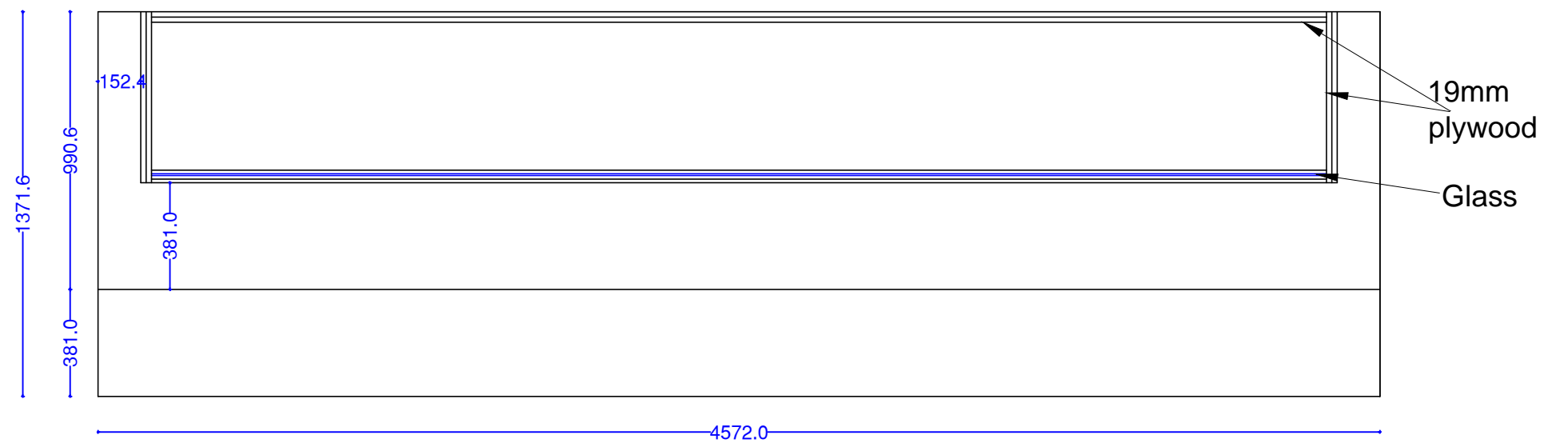
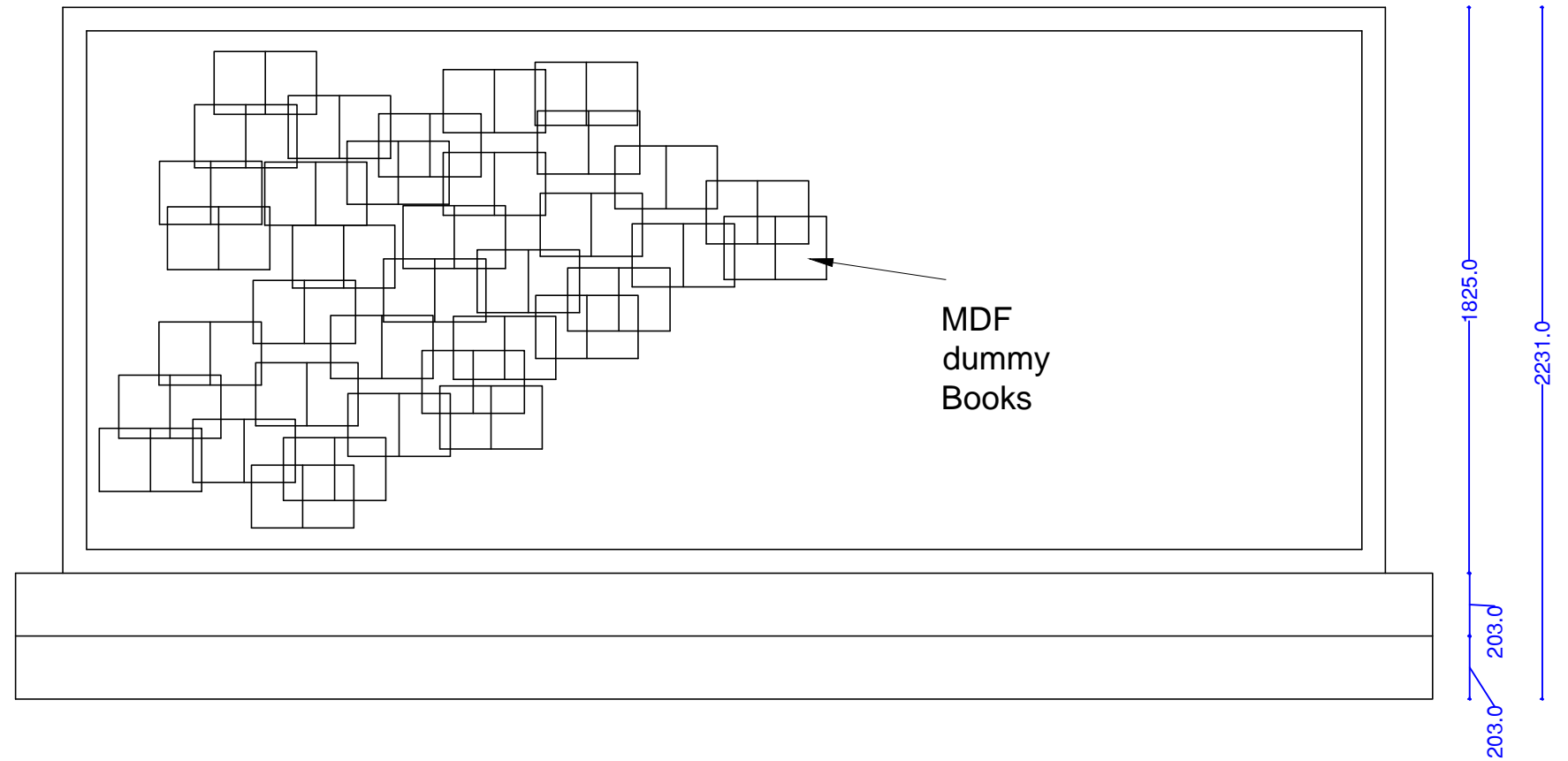
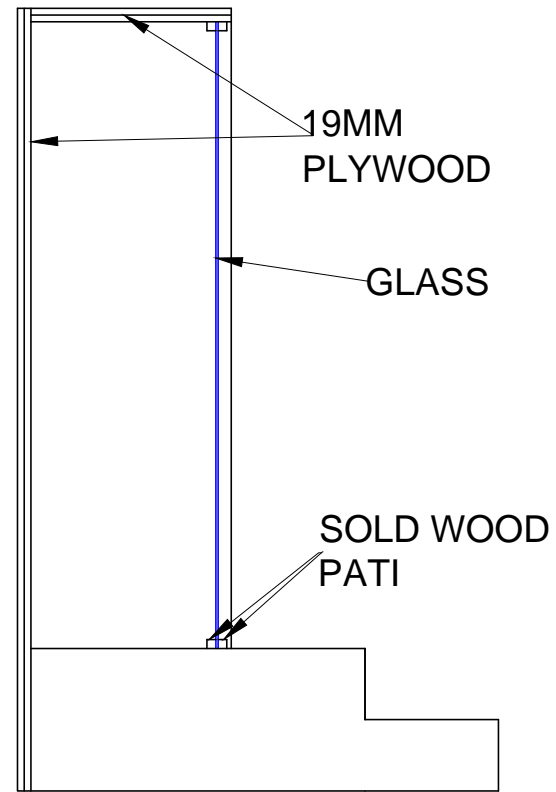
TYPICAL PARTITION DETAILS

FIT SCALE	11.12.19 DATE	NILESH DESIGN BY	NILESH CHEQ
--------------	------------------	---------------------	----------------

NATIONAL INSTITUTE OF DESIGN



DRG.NO - 12



DRG.NO - 13

